

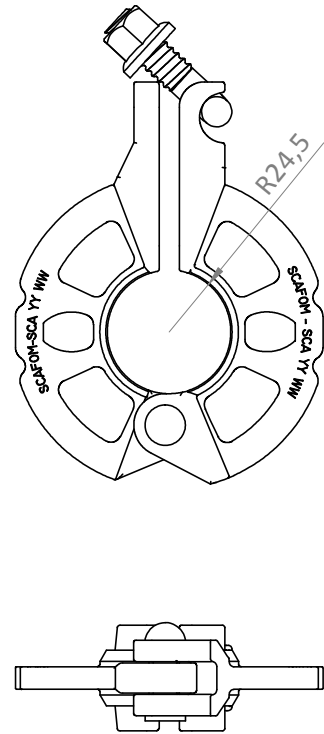
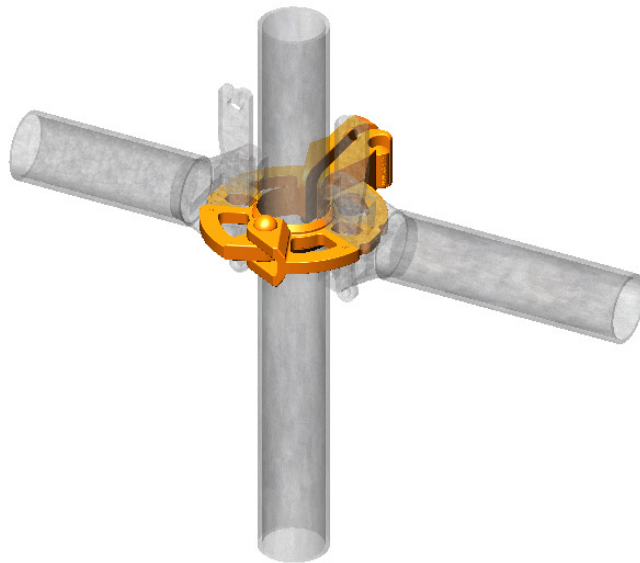
Product Datasheet

System Ringscaff

page 1 / 1

Item Rosette-boltcoupler

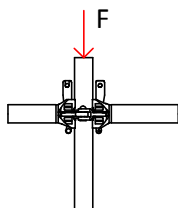
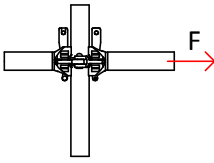
Application The Rosette-boltcoupler is attached to a tube to make a guardrail (ledger) connection.



Product number	Description	Weight (kg)
E04RS1032	Rosette-boltcoupler	1.26

Surface treatment: Hot dip galvanized

Load capacities (Safe Working Load)

Vertical (slip) (kN)	Normal (kN)
	
5,5	12,5